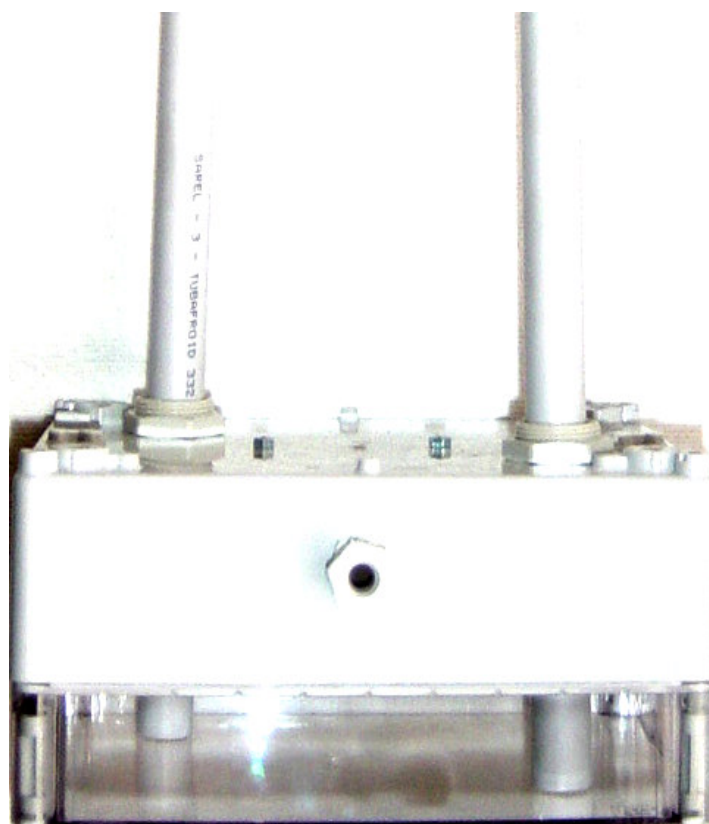


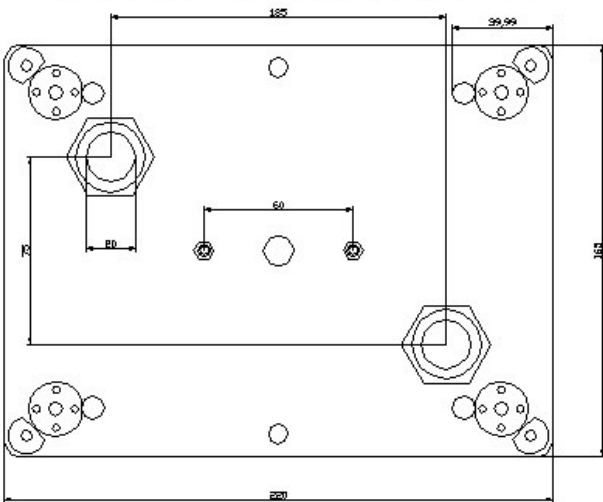


User Manual Air Duct Detection Box IN/100

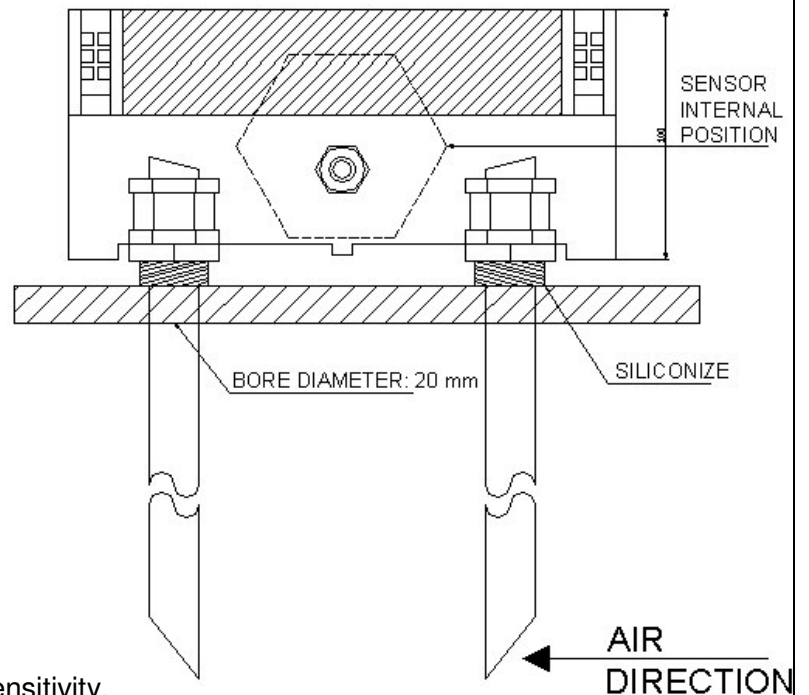


Detection box for air duct installation type IN/100

BORING DISTANCE



INSTALLATION IN A VENTILATION CHANNEL



The air duct detection box has to be installed on the external side of the ventilation pipe. The alarm LED is always visible through the transparent cover of the box. In order to achieve a right response in terms of sensitivity, it is necessary to fix the plastic pipes inside of the dedicated holes on the air duct, with silicon glue.



Sicurtime Srl
Via Carlo Cattaneo, 93
20025 Legnano (MI)
www.sicurtime.com