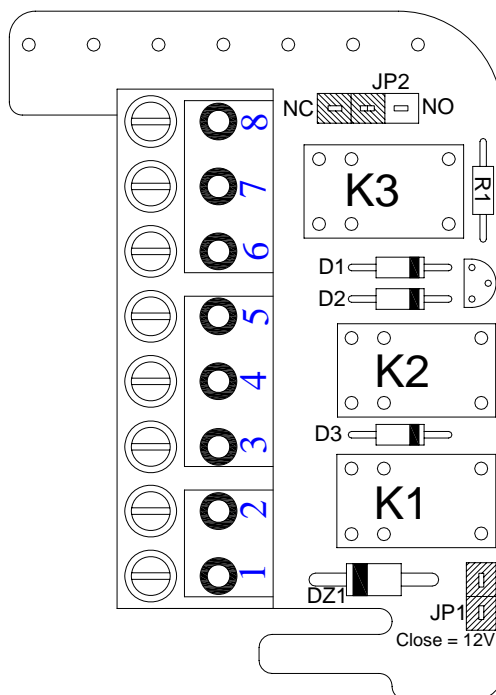




User Manual

A55-503 3-Relays card

for the Gas Detectors Series 500



3-Relays card for the Gas Detectors Series 500

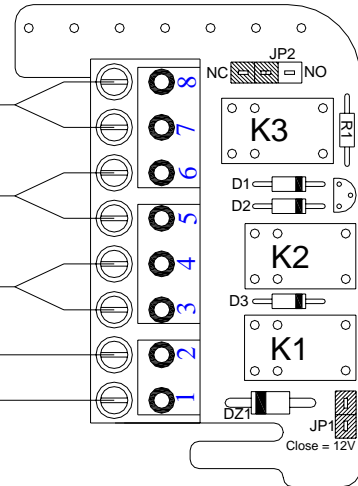
Fault output contact: N.C. or N.O.
according to JP2

Alarm output contact: N.O.

Pre-alarm output contact: N.O.

Negative of Power Supply

Positive of Power Supply

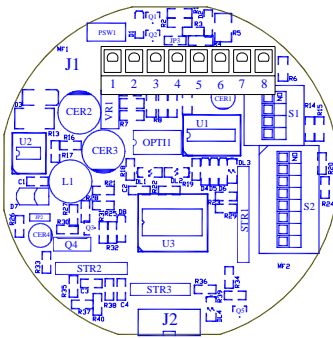


Description: Power Supply 12/24V see-picture JP1
Relay Absorption 1A at max 30Vdc

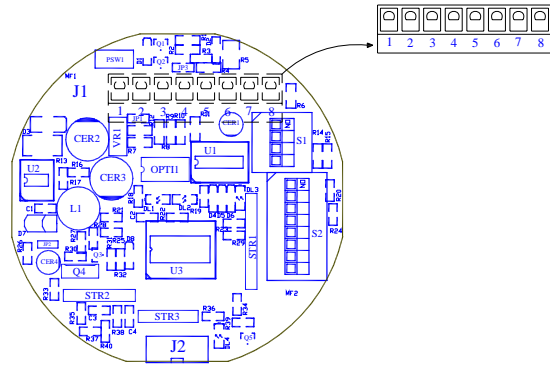
Note: Relay's fault contacts N.O and N.C. are
consider at rest

Installation procedure of the 3-Relays card for the Gas detectors series 500. Pre-alarm, alarm and fault outputs.

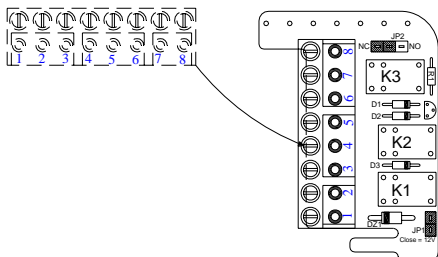
1. Standard configuration of the detector electronic card



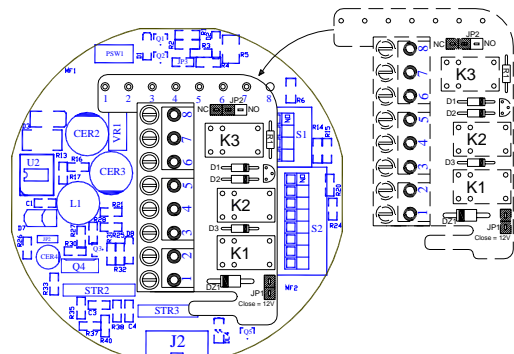
2. Pull out the terminal block J1



3. Put the terminal block "J1" inside the proper slot on the relay-card



4. Put the relay-card at the place of the terminal block, but leave pin N° 8 free





Sicurtime Srl
Via Carlo Cattaneo, 93
20025 Legnano (MI)
www.sicurtime.com